

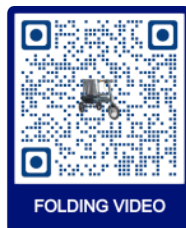


eFOLDi®



eFOLDi User Manual

Model: Explorer (MK1.5)



SunTech UK Ltd

Purchased from:

Date of purchase:

Serial number:

Please see image showing the location of the serial number.



Contents

1	Welcome	2
2	Terms, conditions and disclaimers	3
3	Product overview	6
4	Components	7
5	Safety guidance	10
6	Folding instructions	14
7	Drive your scooter	25
8	Battery and Charging	28
9	Checks and maintenance	32
10	Technical specification	33
11	Appendix	34

Welcome

Thank you for choosing an eFOLDi product as your mobility solution.

I'm Sumi Wang, the founder of SunTech UK and would like to welcome you to the eFOLDi family of users.

SunTech UK manufactures a range of assistive technologies to help you get the most from life. Our mission is to give our customers freedom, friendship and fun with a range of easy to use, convenient and market leading mobility solutions.

Your eFOLDi has been manufactured to the highest standards and quality checked by our own pre-sales technicians before delivery, to provide you with a product that will give many years of freedom and fun with reliable service.

Please take some time to read the user manual and the supplied documents before using your eFOLDi for the first time, this will help you understand the product and help you obtain maximum enjoyment and safety from your new eFOLDi product(s). You will quickly become familiar with the features of your eFOLDi with a little practice.

SunTech UK prides itself on its high-quality products and customer support so please remember to register your product(s) at: <https://efoldi.com/register-warranty>

These will help us to assist you in the event of any difficulties you may experience in the future. I am sure you will find your eFOLDi to be a reliable friend and companion and I thank you for your custom and your trust in our products.

Yours,



Sumi Wang

Terms, conditions and disclaimers

The terms 'us', 'we', 'our', 'SunTech UK' and 'SunTech UK Ltd' mean SunTech UK Limited, which is a UK registered company, limited by guarantee, registered with Companies House, number 06906908. The terms 'website' means the website found online at www.efoldi.com. The terms 'you', 'your', 'user' and 'rider', mean the person using the eFOLDi not withstanding any person(s) handling the eFOLDi on behalf of the user, if different to the user, including general handling, maintenance, repairs and so on.

Purchaser's agreement

By accepting delivery of this eFOLDi, you undertake to not change, alter or modify this eFOLDi and/or any parts supplied with it or subsequently for it, and/or render inoperable or unsafe, any guards, shields or other safety features of this product; fail, refuse or neglect to install any retrofit kits from time to time, as may be provided by SunTech UK Ltd to enhance and/or preserve the safe use of this product . You also agree to accept and abide, by/with the terms and conditions contained herein and as may be revised from time to time and updated on our website, being immediately applicable. By using the eFOLDi and/or accessories and/or components supplied with/or for the eFOLDi, the user acknowledges having read and understood the use(s) and limitations of the product(s) without exceptions. This shall not act as a waiver of any implied warranties, which customer retains, as provided by law.

Warranties will be void and SunTech UK Ltd will accept no responsibility whatsoever or howsoever, in instances of misuse and/or abuse of the products, in part or in full, by the user and/or any unauthorised persons, which may include (but not to be limited to); the user(s) failing to comply with all legal requirements and guidelines, wherever and/or however it is used or intended to be used, lack of or inappropriate maintenance, maintenance (apart from the routine maintenance as described in this manual by the user) by anyone not approved to do so, unapproved repairs, unauthorised disassembly of the vehicle and/or components includ-

ing (but not limited to) battery pack(s) and controllers, unapproved modifications or alterations, failure to ensure correct folding and unfolding procedures are followed precisely and in full, damage or injury howsoever caused, failure to apply all reasonable and appropriate safety precautions at all times, improper use of the vehicle and/or parts and/or accessories being used by more than one person at any times, use in any competitive sport, racing, stunts, jumping or other similar activity.

Our liability and the liability of our suppliers, to you/or any third parties in any circumstances is limited to the user's cost of qualifying products purchased. Qualifying products as acceptable for the return, as outlined in the return policy, as stated on the website online at: www.efoldi.com/return-policy.

Information in this user manual is subject to change without prior notice. For the latest updates and information, please go to our website online at: www.efoldi.com.



The scooter should not be used by:

People who are unable to:

- Fold or unfold it using both hands*;
- Transfer themselves onto the seat* and remain in a seated upright position at all times, without assistance while the vehicle is in motion;
- Place and keep your feet on the foot-pegs;
- Operate all controls fully and as intended;
- Steer competently and appropriately at all times and in all conditions;
- Maintain appropriate awareness of all relevant circumstances for each journey and take appropriate action as may be required to avoid mishap;
- Lift it in whole or in part as may be required dependent upon user's needs*.

* Unless accompanied by a person sufficiently able and competent to carry out that task.

Product compliance:

Safety:	EN12184 and ISO 7176-15
EMC:	ISO7176-21
Risk management:	ISO14971
The European Medical Devices:	Directive of 93/42/EEC

Shipping and delivery:

By checking against your sales order or invoice, make sure your delivery is complete, as some components may be individually packaged. If you do not receive a complete delivery, please contact us immediately. Where damage has occurred during transport, either to the packaging or the content, please contact the delivery company responsible.

Product overview

The eFOLDi Explorer (MK1.5) is a top end product of SunTech Ltd UK with a weight of only 19kg with battery and top speed of 8mph and road legal in the UK. Amazingly easy to set up and fold and fully airline compliant. The eFOLDi Explorer (MK1.5) is the perfect travel companion at home and abroad.



(a) Storage Mode



(b) Chair Mode



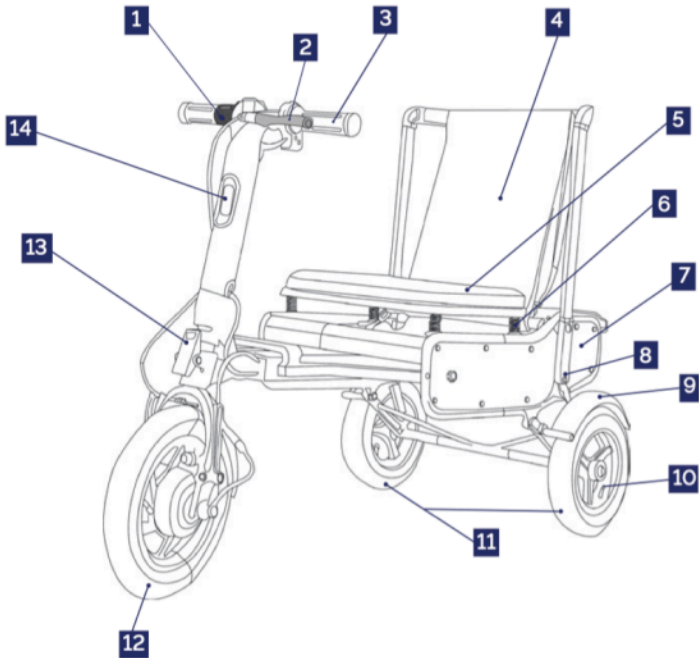
(c) Trolley Mode



(d) Scooter Mode

Model: Explorer (MK1.5)

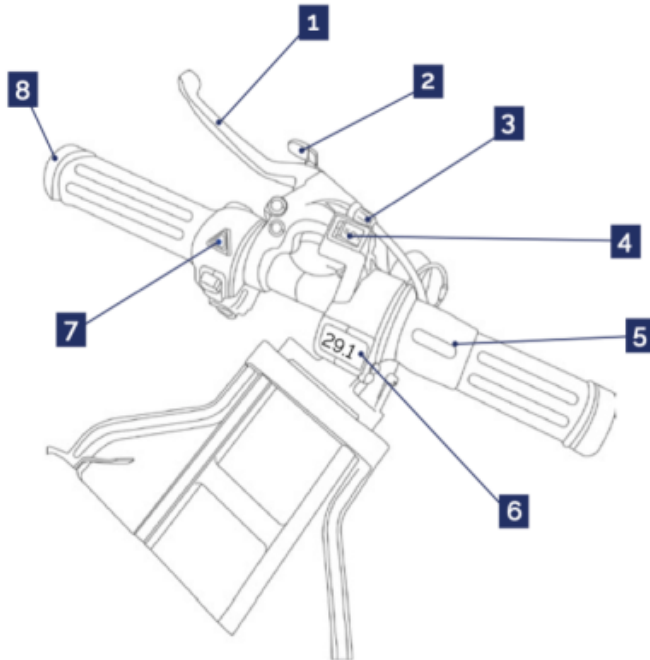
Components



1	Twist throttle	2	Manual hand brake lever
3	Handle bar	4	Backrest cover
5	Seat	6	Seat suspension spring
7	PVC side panel	8	Backrest frame
9	Mudguard	10	Tyre valve
11	10inch rear wheel	12	Front drive motor
13	Latch A	14	Headlight

Model: Explorer (MK1.5) Components

Control bar



1	Manual hand brake lever	2*	Brake lock (Parking lock)
3	Brake adjuster	4**	Speed / Reverse switch
5	Twist throttle	6***	Battery voltage display
7	Hazard light switch	8	Turning indicator

Model: Explorer (MK1.5) Control bar

Caution:

* Pull brake lever fully before engaging, do NOT fold scooter with brake lock on.

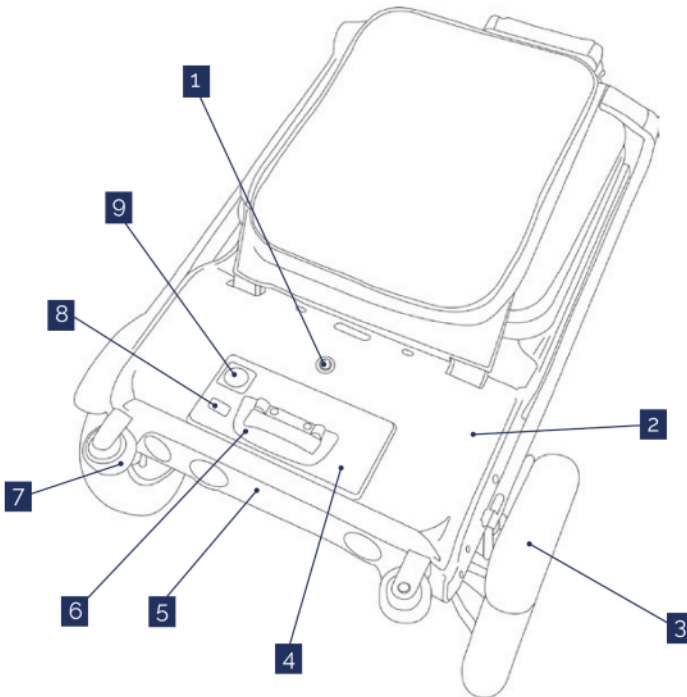
** Speed Switch:

I - Pavement mode (4mph) O - Reverse II - Road mode (8mph).

*** Battery voltage display:

29 = Full 24 and below = charging required (Number will fluctuate depending on terrain).

Battery compartment



1	Battery lock	2	Battery box
3	Rear mudguard	4	Battery pack
5	Rear light panel	6	Battery handle
7	Suitcase wheels	8	USB Power outlet 5V/1A
9	Charging point		

Model: Explorer (MK1.5) Battery compartment

Safety guidance



Attention

- It is the user's responsibility to read the manual and supplied documents before using the eFOLDi and to follow all of the recommendations contained within, to fully comply with all local laws of their countries and localities and to use the eFOLDi with due diligence and regard to other road users and pedestrians.
- The eFOLDi is simple to use, but its folding mechanism can cause significant injury if used inappropriately and handled without due care and diligence. To avoid any risk of injury ensure hands, fingers, jewellery, clothing and other objects are not allowed to interfere with the folding mechanism or moving parts of the eFOLDi and study the manual carefully before you start operating your eFOLDi.
- It is advised that the user familiarise themselves with the folding and unfolding procedure before venturing outside. The user should also ensure that they familiarise themselves with the controls and handling of the scooter in a safe area away from obstacles and other pedestrians or road users.
- eFOLDi users are recommended to wear appropriate clothing when using a mobility scooter which should include an approved helmet, sturdy shoes or boots, appropriate gloves and high visibility protective clothing as a safety precaution.
- Fully charge the battery(ies) before first use and follow the guidelines in this manual for prolonging the life of your battery.
- Your eFOLDi Explorer (MK1.5) should only be stood on its main rear wheels and suitcase wheels when it is on level and stable ground.

Caution:

When travelling at speeds greater than a slow walking pace be sure to slow down before turning.

Please try to avoid riding over rough, cobbled, muddy or loose gravel surfaces. Your eFOLDi is designed for smooth and firm footpaths, roads and pedestrian areas only.

The stopping distance on slopes can be significantly greater than on level ground; The scooter surface temperatures can increase when exposed to external sources of heat (e.g. sunlight)

Approach kerbs (maximum height of 3cm) carefully and at right angles and cross them slowly.

Any vehicle can be dangerous to its rider/driver and other road users and pedestrians.

Always ride/drive responsibly, respectfully and with due care to others.



Your eFOLDi Scooter is NOT a toy and is not recommended for people under the age of 14. Do NOT allow children to play with or on the scooter. The internal folding mechanism can cause injury to small hands.

Do NOT rush when folding or unfolding the eFOLDi scooter.

Do NOT for any reason put your hands into the mainframe of the scooter during each folding step. This is because your hands and fingers can get trapped in the main levers and pivots and serious injuries can be caused.

Do NOT carry passengers on the eFOLDi scooter. Carrying passengers on the eFOLDi may affect the centre of gravity, resulting in tipping over or falling.

When unfolding/folding your eFOLDi Explorer (MK1.5) ensure:

- The scooter is positioned on a level floor or ground.
- Main switch is switched off.
- All latch pins are properly secured in place, as stated on the instructions and shown on the illustrations.
- Brake lock is disengaged.

Safety check before use:

It is highly recommended that you perform a safety check before each use to make sure your eFOLDi operates smoothly and safely.

- Check for correct tyre inflation. Maintain but do not exceed the manufacturer recommended tyre pressure rating indicated on the pneumatic tyres;
- Check all electrical connections. Make sure they are secure and not corroded;
- Check and test the brake system;
- Check frequently for any loose fasteners, fixings and other components.

EMC warning statement

The interference from radio wave sources such as radio stations, TV stations, two way radios or cellular phones can cause the mobility scooter to release its brakes, move by itself, or move in unintended directions. It can also permanently damage the mobility scooter control system.

The intensity of the interfering EM energy can be measured in volts per meter (V/m). Each mobility scooter can resist EMI up to a certain intensity. This is called the "EMI immunity level". The higher the EMI immunity level, the greater the protection from EMI. Currently the eFOLDi scooter has an immunity level of at least 20V/m, which provides useful protection from the common sources of EMI.

The sources of radiated EMI can be broadly classified into three types: 1) Hand-held portable transceivers. (normally with antenna mounted on the device) 2) Medium-range mobile transceivers, such as those used in police cars, fire trucks, ambulances and taxis. (normally with antenna mounted on the vehicle) 3) Long-range transmitters and transceivers, such as commercial broadcast transmitters (radio and TV broadcast antenna towers) and amateur (HAM) radios.

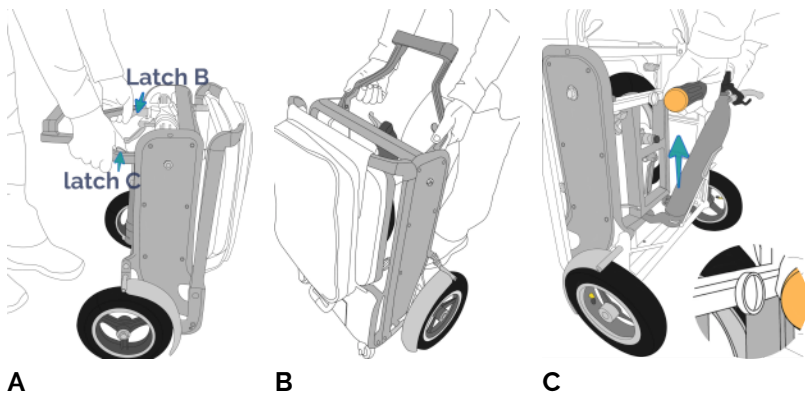
Other types of hand-held devices, such as cordless phones, laptop computers, AM/FM radios, TV sets and small appliances such as electric shavers and hair dryers are usually not likely to cause EMI problems.

Folding instructions

Folding mode: Suitcase to Scooter



Please study the instruction and image illumination to familiarise the folding procedures and please only operate one moving part at the same time.



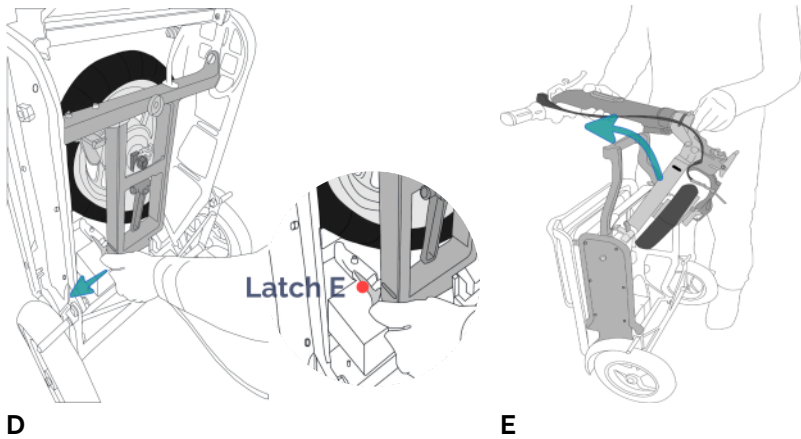
A Position the scooter vertically and release the carry/drag handle by pressing the latch B and C.

B Gently rotate the carry handle to a vertical position.

C Pull the control bar towards you, using a gentle pressure and/or a twisting motion to release this from the magnetic catch that holds it in place.

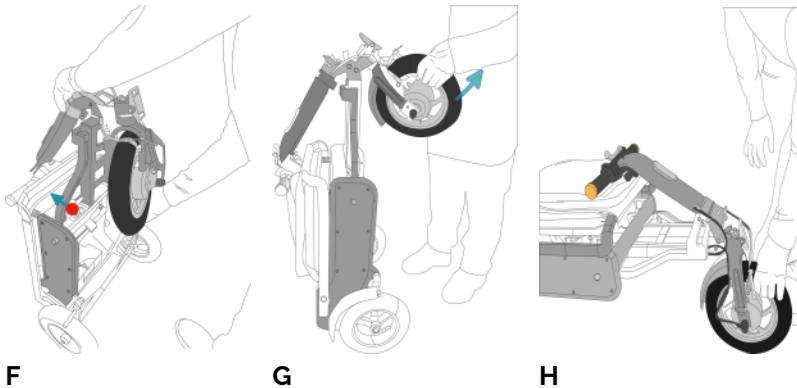


Do NOT for any reason put your hands into the mainframe of the scooter during each folding process. This is because your hands and fingers can get trapped in the main levers and pivots and serious injuries can be caused.



D Hold the handlebar/steering column with one hand and gently press it towards the frame while releasing the latch E.

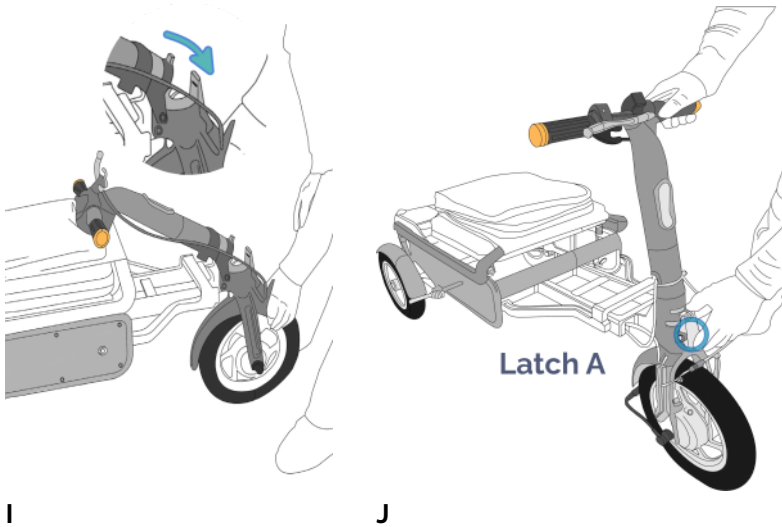
E Pull the handle/steering column up and over the carry/drag handle.



F Push the handlebar/steering column over until you hear latch D click into place.

G Pull the front wheel free of its magnetic catch, by applying gentle pressure, while twisting the wheel to one side, and make sure directly in line with tiller.

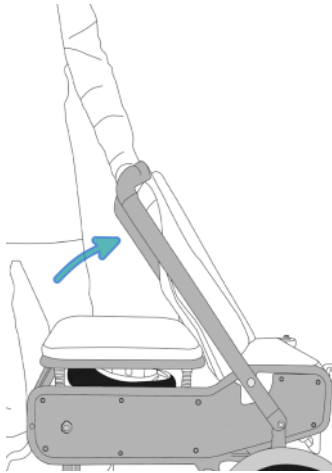
H Lower the eFOLDi to the horizontal position.



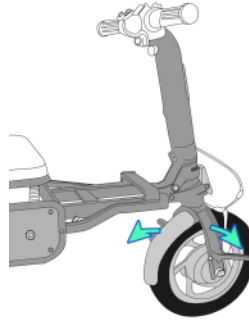
I In the horizontal position pull the handlebar/steering column upright until you hear the latch A click into place.

Note that the steering column is keyed to fit in line with the front wheel.

J Make sure Latch A is securely locked.



K



L

K Put the seat backrest frame upright.

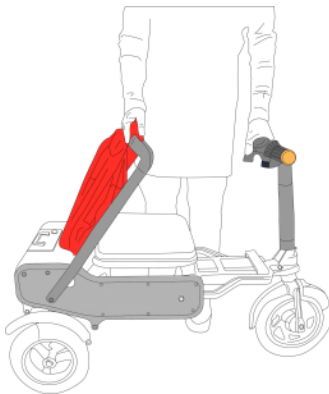
L Push the footpegs out from the front wheel, your scooter is ready to ride.



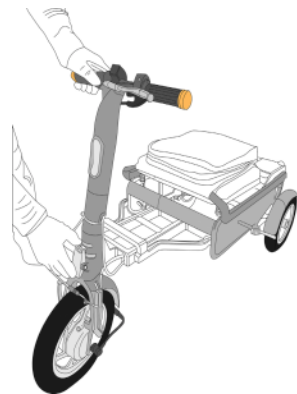
Folding mode: Scooter to Suitcase



Please study the instruction and image illumination to familiarise the folding procedures and please only operate one moving part at the same time.



A



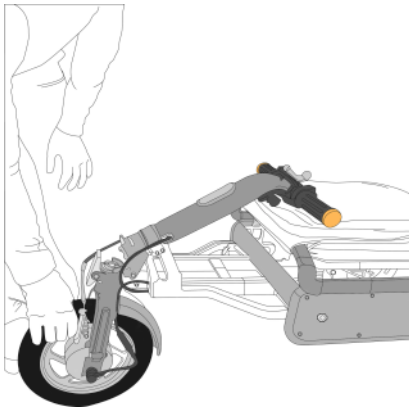
B

A Fold the seat backrest down to a horizontal flat position against the seat cushion.

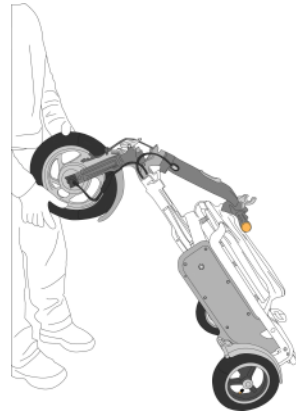
B Release the handle bar/steering column by pressing in the Latch A, Support the steering column while doing this and **make sure the brake lock is released.**



Do NOT for any reason put your hands into the mainframe of the scooter during each folding process. This is because your hands and fingers can get trapped in the main levers and pivots and serious injuries can be caused.



C



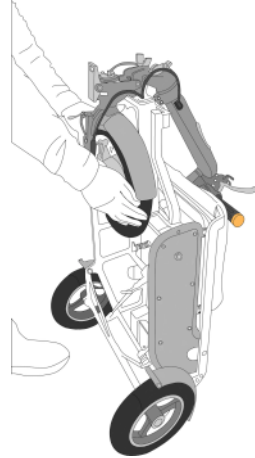
D

C Place the steering column flat with the handlebars resting on the seat cushion.

D Lift the scooter to a vertical position while holding the front wheel.



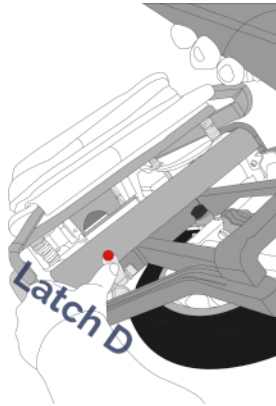
E



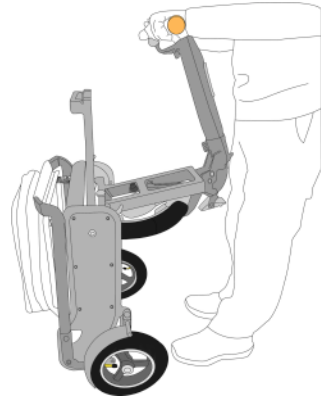
F

E Rotate the front wheel so that it can lay flat against carry/drag handle part of the frame.

F The wheel will lock against its magnetic catch. Make sure the wheel is not moving.



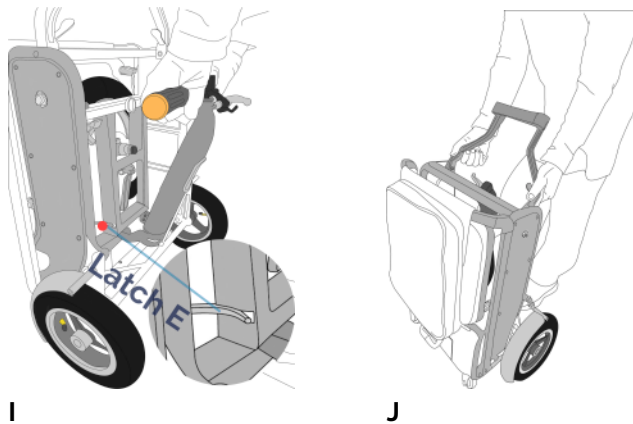
G



H

G While holding the steering column press the latch D which will release the forward part of the frame. **Do not press the latch D without holding the steering column.**

H Lower the handlebar/steering column and front wheel assembly so that it fits flat against the main body of the scooter.



I Push the folded front wheel and handlebar/steering column in towards the scooter until you hear the latch E click to lock the assembly in place. Push the handlebars in until you feel the magnetic catch lock the bars into position.

J Finally, fold the carry/drag handle by pressing the 'B' and 'C' latches and rotate the carry handle downwards until it is folded flat against the scooter.



Folding mode: Suitcase to Chair



Please study the instruction and image illumination to familiarise the folding procedures and please only operation one moving part at the same time.



K



L

K Release the carry handle by pressing the latches B and C and pulling the carry/drag handle outwards until it is horizontal.

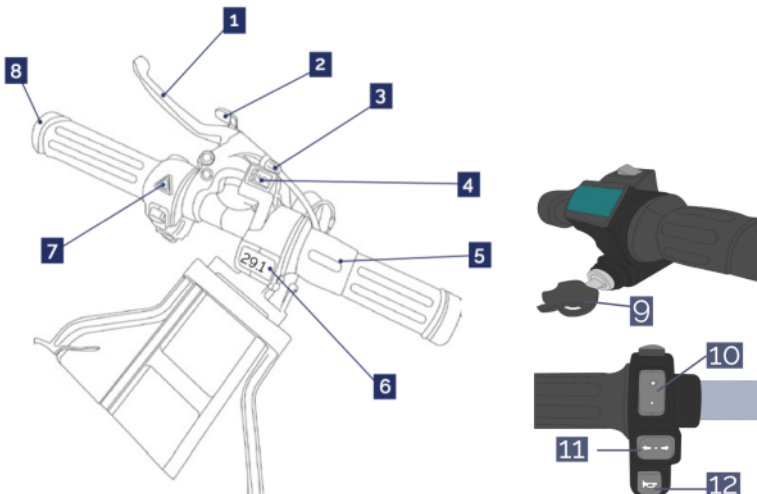
L Place the scooter down in a horizontal position resting on its rear wheels and the carry/drag handle, finally pull the seat backrest frame upright.



Drive your scooter

Safety check before use

When driving your eFOLDi, choose a route with good road conditions. The eFOLDi is designed to drive on smooth even surfaces. Unevenly paved roads or paths, potholes and other hazards, will reduce the life of any scooter and your safety. Do not drive on steep roads or excessively cambered roads. The amount of charge remaining in the battery immediately before commencing any slope upward will be crucial to the climbing ability. Any deviation from level/horizontal surfaces should not exceed a gradient of 1:6 (9.5 degrees). For any climbing there are many factors that need to be considered these are: the tyre pressure and condition, the surface condition (if wet, icy or slippery, and this includes leaf cover and/or other debris, we advise against driving the slope), battery charge and the weight of the user, all of these will affect performance.



1	Manual hand brake lever	2	Brake lock (Parking Lock)
3	Brake adjuster	4	Speed / Reverse switch
5	Twist throttle	6	Battery voltage display
7	Hazard light switch	8	Turning indicator
9	Ignition Key	10	Headlight switch
11	Turning indicator switch	12	Horn

Table 1: Model: Explorer (MK1.5) Control bar

- Ignition switch (**9**) To switch on the scooter, the key will need to be turned clockwise from the 9 to 11 o'clock position.
- Hazard light (**7**) With the ignition on, a continual beeper sounds when operated by pressing the triangular button.
- Brake lever (**1**) When the brake lever is applied, power to the motor is cut off and brake lights illuminate.
- Brake lock (**2**) It works by pulling the brake lever and pulling the brake lock inwards, as it is engaged the power is cut off. Pull the brake lever towards you to release the brake lock.
- Brake adjuster (**3**) This small ring is positioned slightly to the left of the brake lever/brake cable tension. Turn this anti-clockwise/clockwise to increase/decrease brake tension to suit your driving style.
- Speed/Reverse switch (**4**) The drive mode selector has three positions to control maximum speed and direction.
I - Pavement mode - Maximum speed (4mph)
O - Reverse - Slow speed (warning indicators flash and sounder emits a warning tone)
II- Road mode - Maximum speed (8mph)
- Twist Throttle (**5**) Twist the inner ring to apply power for driving either forwards or reverse.
- Voltage Display (**6**) It shows the battery voltage level. Recharge the battery when it drops to 24V.
- Headlight switch (**10**) It is positioned in the centre left side of the control bar and operates the head and rear warning lights.
- Turn Indicator (**11**) The switch is positioned in the centre left side of the control bar, under the headlight switch and turns the right or left indicator lights on (front and back).

- Horn (**12**) It is positioning underneath the indicator switch and will sound the horn.



**Perform the safety check before each use
- see Safety Guidance section.**

Operate the scooter

- To Start - Insert the key to the ignition switch and turn the key clockwise from 9 to 11 o'clock.
- Choose a gear - Choose the right gear by pressing Speed/Reverse switch.
 - I - Pavement mode - Maximum speed (4mph)
 - 0 - Reverse - Slow speed (warning indicators flash and sounder emits a warning tone)
 - II- Road mode - Maximum speed (8mph)
- To Drive - Twist the inner ring of the throttle to apply power to drive the scooter forward or reverse.
- To Stop - Apply the brake lever to stop the scooter.

Caution:


When travelling at speeds greater than a slow walking pace be sure to slow down before turning.

The stopping distance on slopes can be significantly greater than on level ground; The scooter surface temperatures can increase when exposed to external sources of heat (e.g. sunlight)

Battery and Charging



The eFOLDi FarReach battery has been designed and built specifically for the Explorer (MK1.5) . This battery must not be used for any purpose other than as stated in this manual. Any misuse or dismantling of this battery may damage it physically and/or electrically, internally and/or externally will not be covered by warranty. The battery contains no user serviceable or replaceable components. The FarReach battery is actually a battery pack, comprising a number of Lithium Ion cells, but merely termed 'battery' for ease throughout this manual. This battery is different in characteristics and charging requirements to the old and still quite common Lead acid or Lead gel type. Never use a Lead type charger to charge it.

 **To ensure best long-term use of the battery, please observe the following safety rules at all times.**

- Connection dock must be handled with care to avoid damage.
- Charge the battery only with the approved charger.
- Never use a charger for lead type batteries on the eFOLDi battery.
- Never place the battery near, on or against any heat source.
- Ensure no metal parts can touch (or 'short') battery or charger terminals, connectors, pins or any other electrical conductor(s) or conducting parts.
- Avoid excessive physical impact and vibration of the battery.

- Do not attempt to dismantle, dissect or deform the battery(ies) or case(s).
- Do not immerse the battery in any liquid (including water).
- Do not mix different types of batteries.
- Keep the battery out of reach of children.
- Do not use modified or damaged chargers.
- Do not leave the battery on charge for more than 24 hours.
- Store the battery in a cool, dry, well ventilated area.
- Dispose of the battery only in accordance with local laws and regulations.
- If battery is not used often, it is preferable to give it a short 'top up' charge every 2-3 months.
- Never store the battery when it is significantly discharged.

Battery level indicator:

The battery level indicator is the voltage display. Once the power is switched on with the key switch the battery level should be reading 29 Volts or above, which signifies a fully charged battery and this will give the eFOLDi a range of 14 miles (22 kilometres).

Caution:

Do not allow the battery to discharge lower than 23 Volts in any instance - irreparable damage or reduction in useful life of the battery is likely to occur.

Fitting the battery into the eFOLDi

For an efficient battery removal, make sure that the main power is switched off and use the supplied battery key to unlock the battery. Use the battery handle to pull the battery upward whilst using the palm of your other hand to push the back panel down and away.



NB: Ensure that the battery is **UNLOCKED** with the supplied key before attempting removal. Tips for prolonging battery performance and life. If the battery is not used often, it is preferable to give it a short 'top-up' charge, e.g. every 2-3 months. The battery should be charged as soon as is possible after every use. Never store the battery significantly discharged.

Charger and Charging

Precaution for use and handling charger

Use only the charger originally supplied with your new eFOLDi or replacement charger supplied by SunTech UK Ltd for the use with the eFOLDi. The use of a non-approved charger will invalidate any warranty and may cause serious damage to the battery and/or your eFOLDi. The charger should not be used with or for other devices as damage caused to the charger and/or any other device by doing so will not be covered by our warranty.

It is highly recommended to ensure the charger is placed only on heat resistant surfaces and nothing which could contribute to a fire (e.g. carpet, floorboards, wood, laminate or plastic worktops and so on)- the charger will heat up during a normal charging cycle, as will the battery.

Do not leave the battery on charge for more than 24 hours, as this will reduce the life and performance of the battery.

Charging notes for international travellers

For the benefit of international travellers, your approved eFOLDi charger can be used with any mains voltage supply from 100 to 240 Volts, with a suitable travel adaptor.

Using the charger

***Before obtaining an alternative cable, it is recommended you examine your eFOLDi charger to determine which type of plug it requires - it will be either a two -pin 'figure of 8' (IEC60320-1 C7), or a three-pin similar to a kettle (IEC60320-1 C13).**

Checks and maintenance



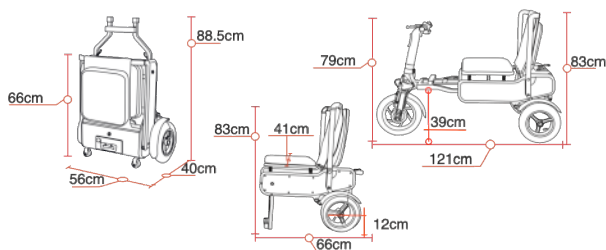
- **Perform the following inspections prior to using your eFOLDi daily:**
Make sure you check the correct tyre inflation and maintain without exceeding the P.S.I./BAR/kPa air pressure rating indicated on each pneumatic tyre (note; the front and rear tyres are different pressures). Also be sure to use the correct pressure scale and according number on your inflator/pressure tester.
- **Perform the following inspections weekly:**
Check the brakes and make sure all the parts of the brakes are working properly. Make sure the handle brake lock is working properly before driving. Check the fastening condition of each nuts, bolts and screws to make sure all the parts are properly secured and are not missing or loose Check all electrical connections. Make sure they are tight and not corroded. Have your eFOLDi regularly serviced each year.
- **Cleaning and maintenance**
Periodic cleaning of your eFOLDi will help to maintain its appearance and will both extend the life of the vehicle and improve resale value. Metal and plastic parts can be wiped with a damp cloth using a mild detergent. Use a soft lint free cloth to polish.
- **Have your eFOLDi regularly serviced each year.**

Caution:

Oil and other lubricants must NOT be used on the following parts:

Brake pads, brake cable, tyres.

Technical specification



Frame material:	Aluminium Alloy
Dimension	
Packaging size (L/W/H):	60x46x75cm (24x18x29.5inch)
Folded size (L/W/H):	66x56x40cm (26x22x15.6inch)
Unfolded size (L/W/H):	121x56x83cm (47.6x22x32.6inch)
Chair size (L/W/H):	66x56x83cm (26x22x32.6inch)
Seat height:	48.5cm (19inch)
Footrest height:	22cm (8.5inch)
Front wheel size:	30cm (12inch)
Rear wheel size:	25cm (10inch)
Ground clearance:	12cm (4.7inch)
Weight	
Weight with battery:	19kg (42lbs)
Weight without battery:	17kg (38lbs)
Performance	
Place to use:	Pavement, indoor and road *
Speed:	4mph/8mph (6kmh/12kmh)
Maximum range capacity:	14miles (22km)
Maximum carry capacity:	120kg (265lbs)
Maximum Incline:	1:6 Gradient (9.5degrees)
Turning radius left/right:	102/85cm (40/33inch)
Maximum kerb height:	3cm (1.1inch)
Components capability	
Motor:	240W, 24VDC hub motor
Battery:	24VDC, 12Ah Lithium Ion, 288Wh
Charger:	Input 110-220VAC, 50/60Hz, output 29.4V 2A
Full charge range capacity:	14miles (22km)
Brake:	Mechanical hand brake
Main Switch:	Key operated
Lights:	Headlight, tail lights and brake lights
Number of Wheels:	3

* Road legal in the UK after the scooter is registered with UK DVLA.

Specification-Scooter-Explorer (MK1.5)

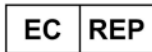
Appendix



SunTech UK Ltd

25 Ormside Way, Holmethrope Industrial Estate, Redhill, Surrey,
RH1 2LW



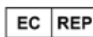


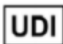




TEL: +44 (0) 2031435168



MedPath GmbH

Mies-van-der-Rohe-Strasse 8, 80807 Munich, Germany

Symbols used on the label

	European CE Marking		Manufacturer
	Authorized representative in the European community		Medical device
	Serial number		Unique Device Identification
	Date of manufacture		Refer to instructions manual
	No trash bin		UK Conformity Assessed



(eFOLDi accessories)
www.efoldi.com/shop



SunTech UK Ltd
25 Ormside Way, Redhill,
Surrey, RH1 2LW, UK



MedPath GmbH
Mies-van-der-Rohe-Strasse 8
80807 Munich, Germany



Official website address: www.efoldi.com
Service email: services@efoldi.com
Facebook: www.facebook.com/efoldi.co.uk